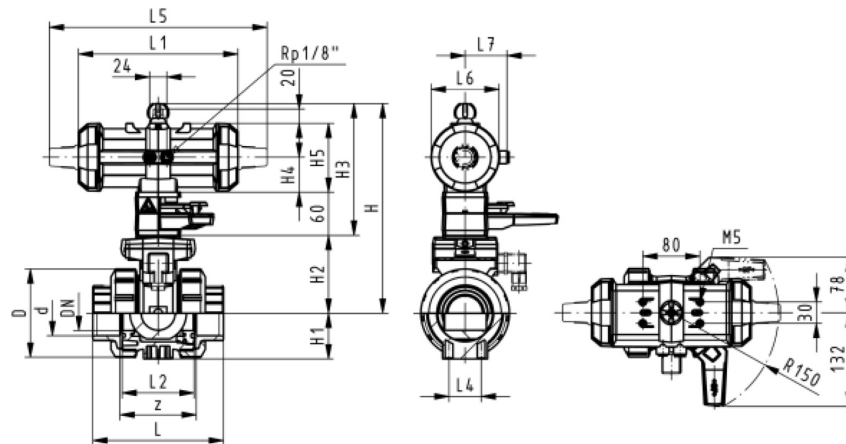


DN10/15 - 50

**Type 233 Pneumatically Actuated Ball Valve - CPVC
FC (Fail safe to close)/with manual override
Solvent cement socket/Threaded NPT**

Size (inch)	EPDM Part No.	FKM Part No.
3/8	199 233 302	199 233 312
1/2	199 233 303	199 233 313
3/4	199 233 304	199 233 314
1	199 233 305	199 233 315
1 1/4	199 233 306	199 233 316
1 1/2	199 233 307	199 233 317
2	199 233 308	199 233 318



The technical data are not binding. They neither constitute expressly warranted characteristics nor guaranteed properties nor a guaranteed durability. They are subject to modification. Our General Terms of Sale apply.

Georg Fischer Piping Systems Ltd, Postfach, CH-8201 Schaffhausen/Switzerland

Phone +41 -(0)52-631 1111

e-mail: info.ps@georgfischer.com

Internet: <http://www.gfps.com>